

Item# F-802SC2

ADA Solution For Existing Anchors

The Scout 2 Lift features an adjustable height seat pole, upgraded electronics, and a higher weight capacity. Utilize the optional pull-out leg rest for partially raised and above ground pools and spas. The updated base accommodates many existing anchors and a variety of different applications.



U.S. Patent No.
D507,769 S



*300 lb (136 kg) weight capacity when used
with plastic anchor sleeve

Available in a variety of accent colors
(blue plastics standard)



OPTIONS/ACCESSORIES:

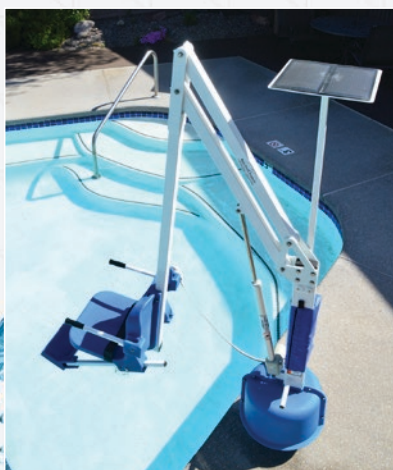
FEATURES:

- 375 lb* (170 kg) weight capacity
- Independently verified to ADA standards
- Set back range 19" to 35" (49 to 88 cm)
- Adaptable to most existing 6" deep anchors
- 360° powered rotation in either direction
- Rechargeable battery with wall mount charger
- 5 year structural warranty
- 5 year pro-rated electronics warranty

ITEM

DESCRIPTION

ITEM #	DESCRIPTION
F-808SA	Anchor kit, standard, 1.9" x 6" deep
F-808SA-10	Anchor kit, paver applications, 1.9" ID x 10" deep
F-842SWDA	Anchor kit, wood deck applications
F-450BL-C	Cover, standard lockable, blue
F-450BL-CT	Cover, standard lockable, tan
F-450SSC	Cover, for use with solar charger, blue
F-422PLH-2	Headrest
F-105LAR	Pull-out leg rest
F-806SLS	Sling assembly
F-045SCH	Solar charging station
F-814SCTC	Transport cart



PROUDLY SOLD BY:

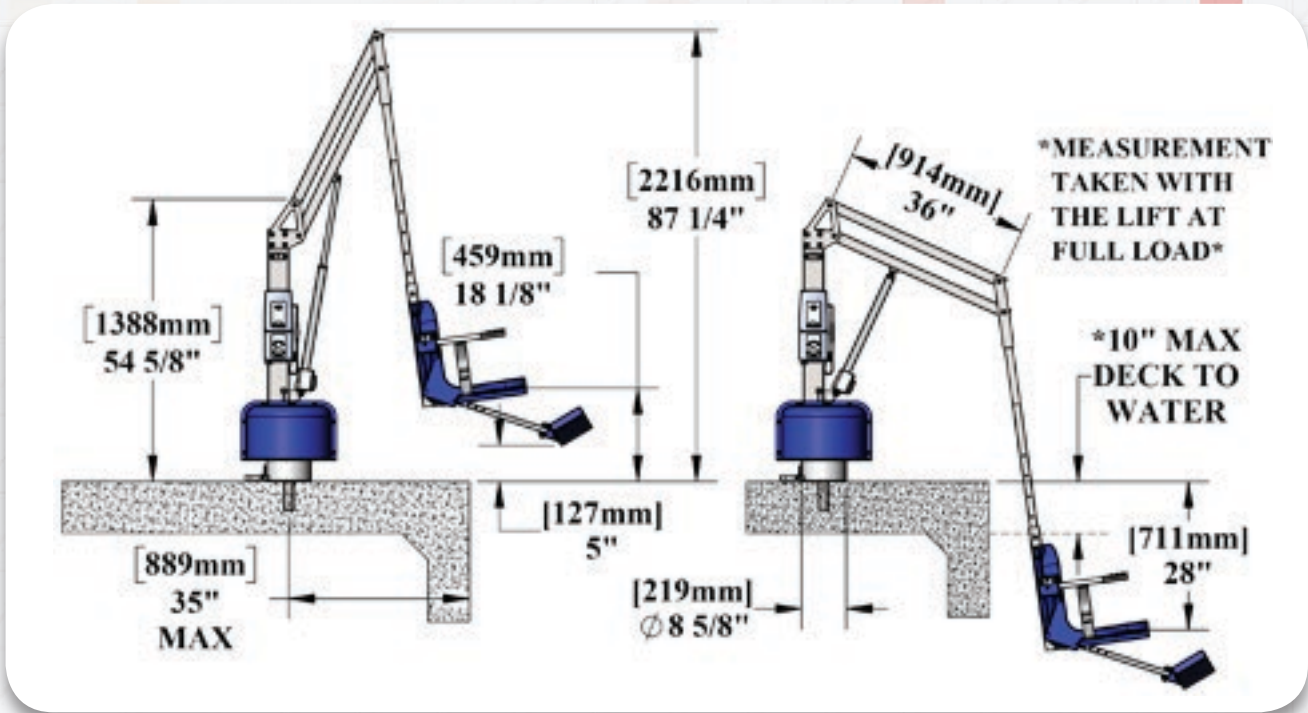
Mobility Plus of Jacksonville

ADA COMPLIANT

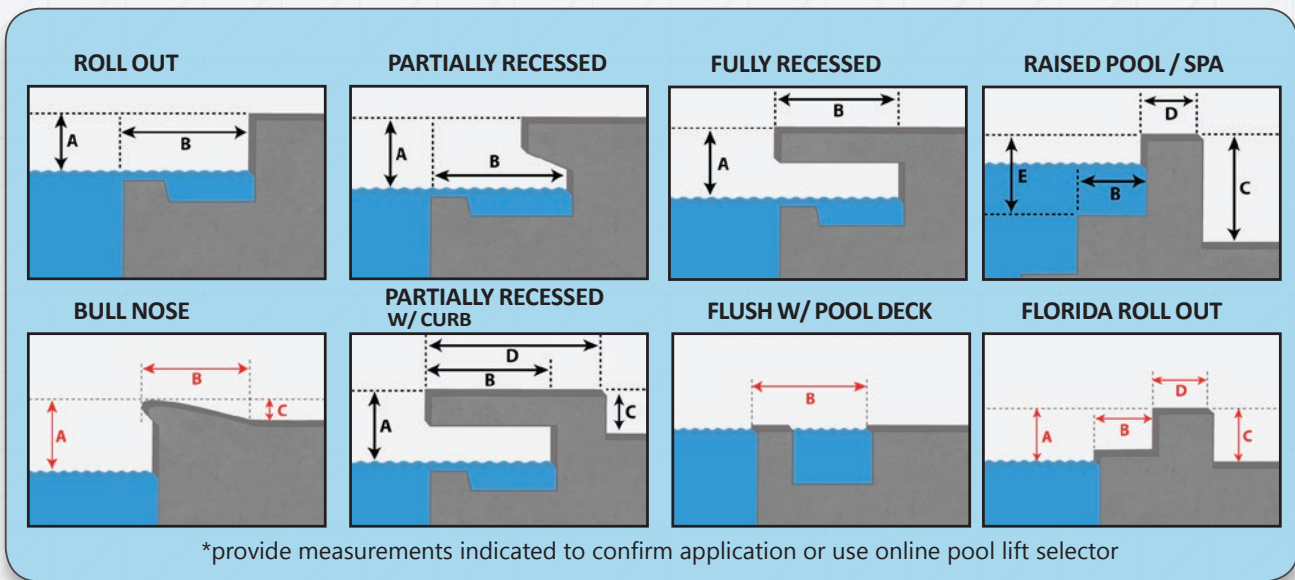
The Scout 2 Lift

The Scout 2 Lift

PRODUCT SPECIFICATIONS



APPLICABLE POOL PROFILES



Mobility Plus of Jacksonville

Call Today! (904) 903-7759